

**Attachment no. 1**

to Description of CBM system / version dated 20.07.2018

**CBM assortments**

Material EPS:  
Density:  $\geq 40$  kg/m<sup>3</sup>;  
CS(10)300:  $\geq 300$  kPa  
 $\lambda_D \leq 0.032$  W/mK;

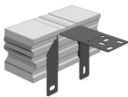
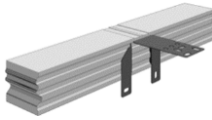
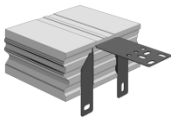
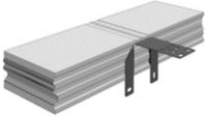
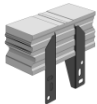

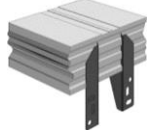
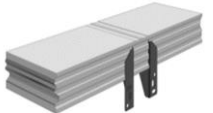
\*) - for BP HARD  
Density:  $\geq 60$  kg/m<sup>3</sup>;  
CS(10)600:  $\geq 600$  kPa  
 $\lambda_D \leq 0.034$  W/mK;

**MARBET CBM assortments**


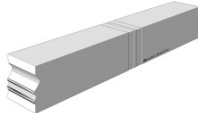

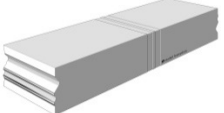



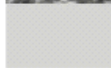





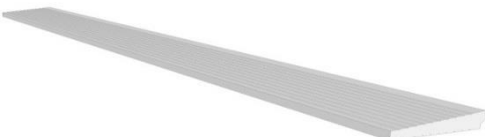
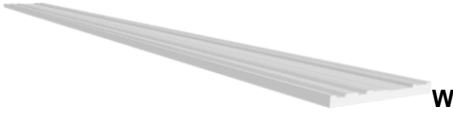
*type of element (width of jamb)*

**10 cm**

**20 cm**

<b>CBM beam length</b>	<b>25 cm</b>	<b>70 cm</b>	<b>25 cm</b>	<b>70 cm</b>
<i>Beam with internal bracket</i>	 <b>CBM.10.25.W</b>	 <b>CBM.10.70.W</b>	 <b>CBM.20.25.W</b>	 <b>CBM.20.70.W</b>
<i>Beam with external bracket</i>	 <b>CBM.10.25.Z</b>	 <b>CBM.10.70.Z</b>	 <b>CBM.20.25.Z</b>	 <b>CBM.20.70.Z</b>

**EPS elements that complement the CBM system**

<i>Beam without bracket</i>	 <b>CBM.10.25</b>	 <b>CBM.10.70</b>	 <b>CBM.20.25</b>	 <b>CBM.20.70</b>
<i>Under-sill beam:</i> - BP - BP.HARD *)	 	 	 	 
<i>Base of inner window sill (PPW)</i>	 <b>PPW</b>			
<i>Base of outer window sill (PPZ)</i>	 <b>PPZ</b>			
<i>Nib – exterior base (W)</i>	 <b>W</b>			